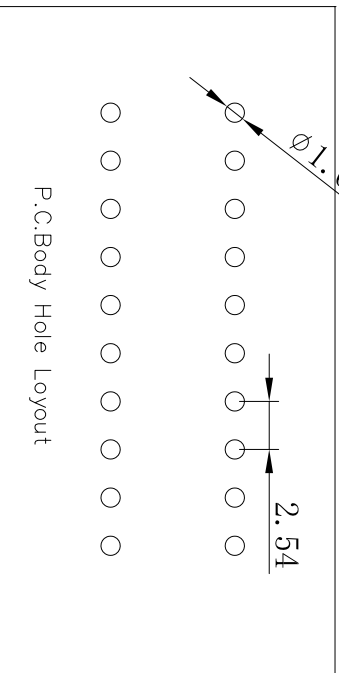
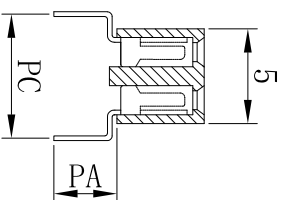
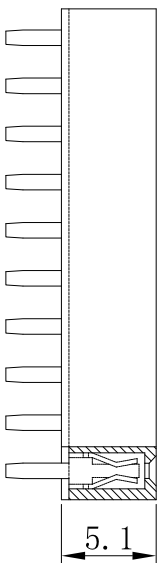
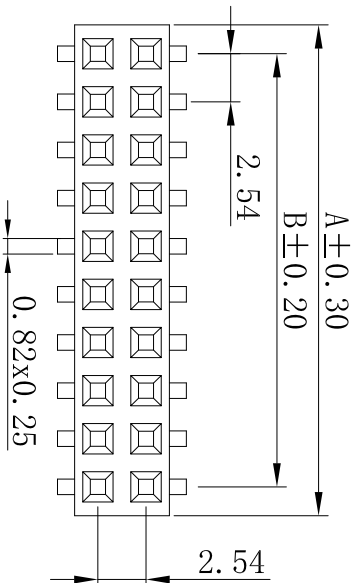


REV. NO.	REVISION NOTE	REVISER	DATE
V0	NEW DRAWING		2023/05/09

客户编码

XX-XXX



**SPECIFICATIONS**  
 Current Rating:3A  
 Contact Resistance:30mΩ Max  
 Insulator resistance:1000MΩ Min  
 Dielectric withstanda:AC 500V  
 Operating Temperature:-40°C~ +105°C  
 Contact Material: Brass or Phosphor bronze  
 Insulator Material:Polyester,UL94V-0  
 Standard:PA6T

- 备注:
- 1、A= 2.54 X No. of Positions + 0.5
  - 2、B= 2.54 X No. of Contacts - 2.54
  - 3、胶壳用常规标准胶壳, 2xNo. of Contacts
  - 4、材质: PA6T 颜色: 黑色
  - 5、端子表层镀金0.8 μ "

<a href="http://www.ciscom.com">Http://www.ciscom.com</a>				深圳市新世联电子有限公司 TEL: +86 (755) 29912370 FAX: 29912372	
Tolerance Unless Otherwise Specified	Title	Units	Scale	REV NO.	Material No.
.X ~ ±0.30		mm	2:1	V0	XXXXX-XXXXX-XXX-XX
.XX ~ ±0.25					
.XXX ~ ±0.20	Drawing By	Date	Reviewed By	Date	Approval By
Angle ~ ± 3°	LiuYang	2023/05/09			

A

B

打印日期:2023/5/24 14:05:01

4

3

2

1

A

B

C

D